

**GPH = 756.0**    **CDL = 6.099**

**BOAT**

Class **H BOAT ONE DESIGN**  
Designer **HANS GROOP**  
Builder **Botnia**  
Age Date **01/1978**  
Series Date **01/1967**  
Offset File **hboat.od.off**

**HULL**

Length Overall **8.280 m**  
Maximum Beam **2.188 m**  
Draft **1.294 m**  
Displacement **1,650 kg**  
DLR **6.7451**  
IMS Division **Cruiser/Racer**  
Dynamic Allowance **0.329%**  
Age Allowance **0.487%**

**PROPELLER**

Installation **No Propeller**  
Type **N/A**  
Diameter **N/A**

**CREW**

Maximum weight **255 kg**  
Minimum weight **170 kg \* when applied**  
Non Manual Power **No**  
Crew Arm Extension

**SAIL AREAS (m<sup>2</sup>)**

	Measured	Rated
Mainsail	<b>15.53</b>	<b>15.83</b>
Headsail Luffed	<b>10.55</b>	<b>10.55</b>
Headsail Flying		
Symmetric	<b>30.63</b>	<b>30.63</b>
Asymmetric		

**SAIL LIMITATIONS**

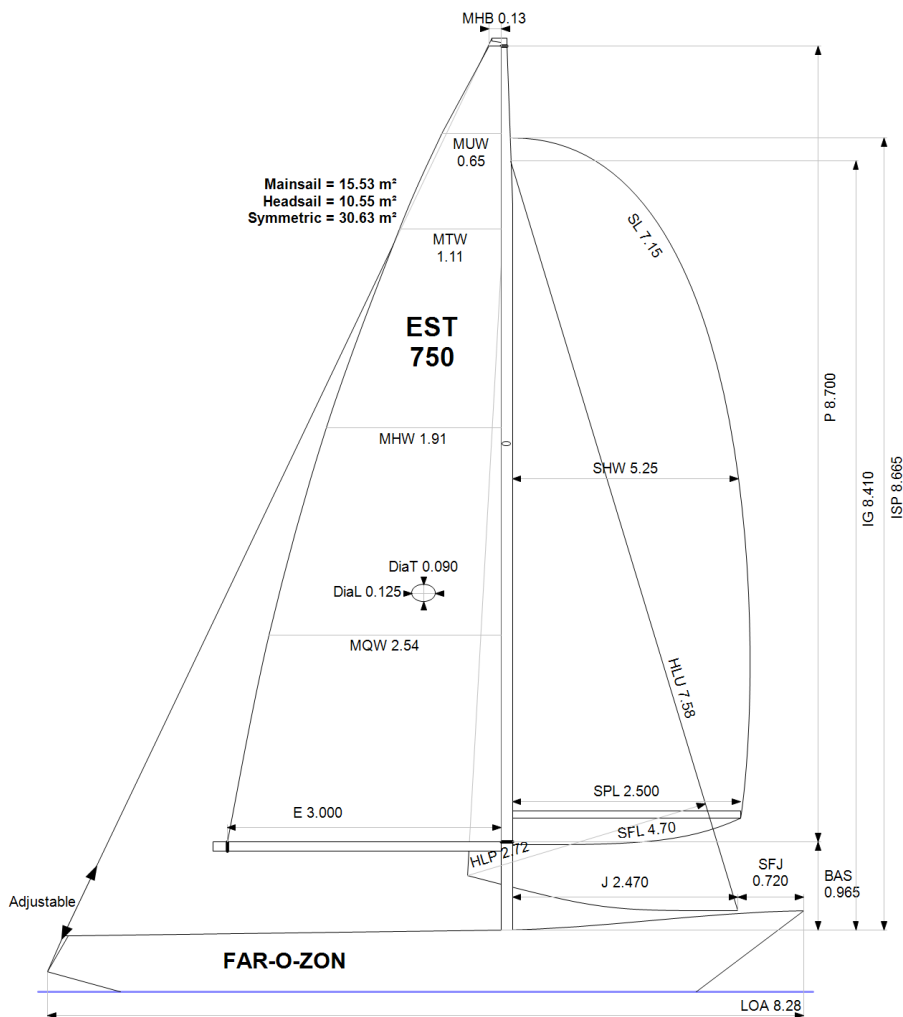
Headsails **5**  
Spinnakers **4**

**STABILITY**

Righting Moment **20.0 kg·m**  
Stability Index **N/A**

**OWNER**

*The owner certifies that he/she understands his/her responsibilities under ORC Rule and Regulations.*



Rated boat velocities in knots

Wind Velocity	6 kt	8 kt	10 kt	12 kt	14 kt	16 kt	20 kt
Beat Angles	43.5°	42.0°	41.6°	40.9°	40.5°	40.9°	41.3°
Beat VMG	2.75	3.32	3.76	4.03	4.11	4.12	4.13
52°	4.22	5.02	5.59	5.86	5.96	5.99	6.01
60°	4.47	5.30	5.79	6.03	6.15	6.20	6.20
75°	4.64	5.51	5.94	6.19	6.37	6.51	6.62
90°	4.77	5.69	6.11	6.30	6.45	6.68	7.01
110°	4.79	5.75	6.20	6.54	6.85	7.05	7.33
120°	4.62	5.62	6.13	6.48	6.85	7.20	7.68
135°	4.15	5.13	5.85	6.24	6.59	6.98	7.80
150°	3.55	4.49	5.31	5.91	6.26	6.59	7.32
Run VMG	3.08	3.89	4.63	5.29	5.84	6.19	6.84
Gybe Angles	148.0°	152.0°	153.0°	168.0°	180.0°	180.0°	180.0°

Time Allowances in secs/NM							
Wind Velocity	6 kt	8 kt	10 kt	12 kt	14 kt	16 kt	20 kt
Beat VMG	1308.2	1083.9	956.4	893.4	876.0	872.7	872.0
52°	852.9	717.4	643.8	614.6	604.2	600.7	599.1
60°	805.9	679.7	621.9	597.2	585.4	580.7	580.4
75°	775.2	653.5	605.6	581.5	565.0	553.1	544.0
90°	755.1	632.5	588.9	571.9	557.8	539.2	513.7
110°	751.4	625.9	580.5	550.4	525.3	511.0	491.1
120°	779.2	640.5	587.2	555.6	525.7	500.3	468.7
135°	866.5	702.0	615.2	577.0	546.2	515.9	461.5
150°	1013.1	801.9	677.5	609.0	575.1	546.2	491.7
Run VMG	1169.9	925.4	778.3	681.2	616.6	581.3	525.9
Selected Courses							
Windward / Leeward	1239.0	1004.7	867.4	787.3	746.3	727.0	699.0
All purpose	953.0	782.8	694.5	647.7	621.4	605.4	582.1

Single Number Scoring Options		
Course	Time On Distance	Time On Time
Windward / Leeward	829.0	0.7238
All purpose	673.1	0.8914

### Custom scoring options for Estonia

Single Number	Time On Distance	Time On Time
Coastal/Long Distance	734.1	0.8173
Triple Number Coastal/Long Distance Low	867.9	0.6913
Triple Number Coastal/Long Distance Medium	668.0	0.8982
Triple Number Coastal/Long Distance High	600.7	0.9989
Triple Number Windward/Leeward Low	1121.9	0.5348
Triple Number Windward/Leeward Medium	821.8	0.7301
Triple Number Windward/Leeward High	721.3	0.8318

Performance Curve	6 kt	8 kt	10 kt	12 kt	14 kt	16 kt	20 kt
Coastal/Long Distance	1232.1	941.5	781.6	691.6	646.5	611.7	554.0