

**GPH = 738.6**    **CDL = 6.437**

**BOAT**

Class **COMFORT 26**  
Designer **Kenneth Albinsson**  
Builder **Comfortbatar**  
Age Date **01/1981**  
Series Date **01/1979**  
Offset File **comfort26CL.off**

**HULL**

Length Overall **8.000 m**  
Maximum Beam **2.298 m**  
Draft **1.437 m**  
Displacement **2,007 kg**  
DLR **6.9913**  
IMS Division **Cruiser/Racer**  
Dynamic Allowance **0.322%**  
Age Allowance **0.487%**

**PROPELLER**

Installation **No Propeller**  
Type **N/A**  
Diameter **N/A**

**CREW**

Maximum weight **460 kg**  
Minimum weight **345 kg \* when applied**  
Non Manual Power **No**  
Crew Arm Extension

**SAIL AREAS (m<sup>2</sup>)**

	Measured	Rated
Mainsail	<b>15.67</b>	<b>16.41</b>
Headsail Luffed	<b>12.97</b>	<b>12.97</b>
Headsail Flying		
Symmetric	<b>39.63</b>	<b>39.63</b>
Asymmetric		

**SAIL LIMITATIONS**

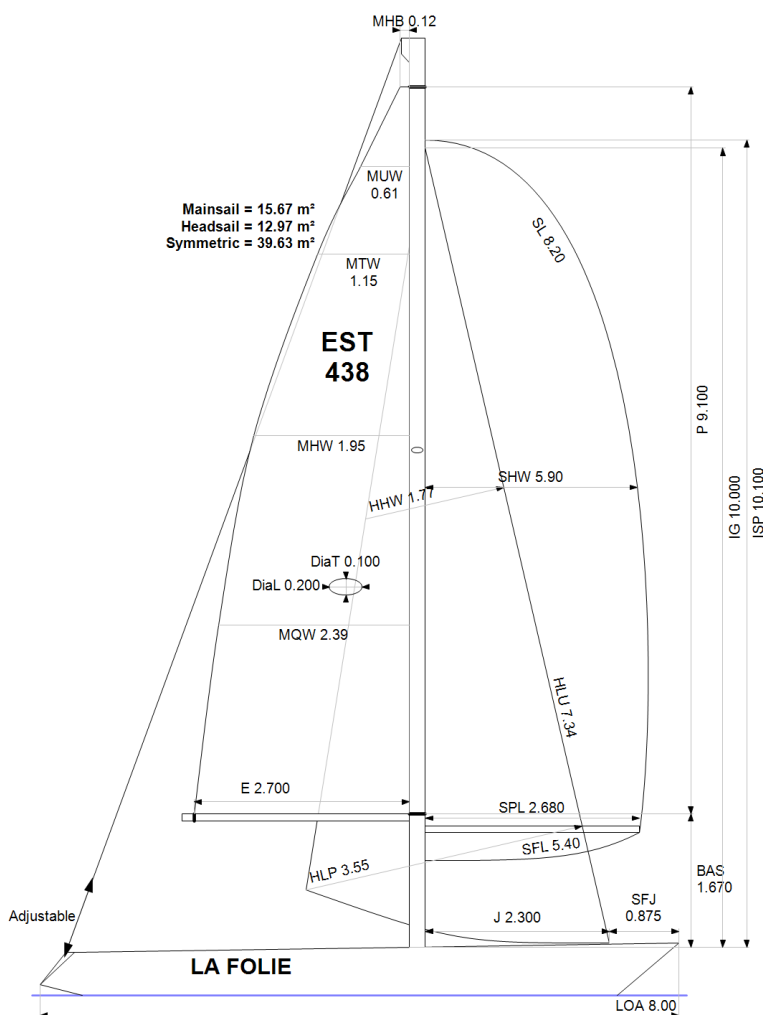
Headsails **5** \* Woven polyester sails  
Spinnakers **4**

**STABILITY**

Righting Moment **42.0 kg·m**  
Stability Index **N/A**

**OWNER**

*The owner certifies that he/she understands his/her responsibilities under ORC Rule and Regulations.*



Rated boat velocities in knots							
Wind Velocity	6 kt	8 kt	10 kt	12 kt	14 kt	16 kt	20 kt
Beat Angles	42.9°	42.0°	41.6°	39.4°	37.5°	36.8°	37.1°
Beat VMG	2.82	3.38	3.82	4.20	4.46	4.58	4.58
52°	4.29	5.09	5.65	5.94	6.13	6.26	6.32
60°	4.51	5.34	5.82	6.07	6.26	6.42	6.55
75°	4.68	5.51	5.96	6.19	6.39	6.61	6.96
90°	4.86	5.77	6.20	6.48	6.66	6.77	7.15
110°	4.90	5.81	6.24	6.58	6.95	7.29	7.69
120°	4.74	5.69	6.16	6.49	6.86	7.24	8.00
135°	4.29	5.25	5.91	6.26	6.59	6.95	7.72
150°	3.68	4.61	5.41	5.96	6.28	6.58	7.27
Run VMG	3.19	4.00	4.72	5.37	5.89	6.22	6.82
Gybe Angles	147.5°	152.0°	154.0°	171.0°	180.0°	180.0°	180.0°

Time Allowances in secs/NM							
Wind Velocity	6 kt	8 kt	10 kt	12 kt	14 kt	16 kt	20 kt
Beat VMG	1276.8	1064.6	941.8	857.7	806.7	786.5	786.9
52°	839.9	706.7	637.1	606.0	587.1	575.1	569.4
60°	797.4	674.1	618.5	593.2	575.1	560.8	549.4
75°	769.7	653.1	604.5	581.5	563.0	544.7	517.4
90°	741.1	623.5	581.0	555.8	540.7	531.9	503.2
110°	735.2	619.1	577.2	547.0	517.9	493.6	468.4
120°	759.8	632.4	584.4	554.5	524.8	497.1	450.3
135°	839.1	686.0	609.1	574.8	546.3	517.7	466.2
150°	978.2	780.7	665.8	603.9	573.3	546.8	495.2
Run VMG	1129.6	900.9	763.2	670.7	610.9	579.1	527.9
Selected Courses							
Windward / Leeward	1203.2	982.7	852.5	764.2	708.8	682.8	657.4
All purpose	929.8	769.1	685.7	635.1	601.0	580.5	554.3

Single Number Scoring Options		
Course	Time On Distance	Time On Time
Windward / Leeward	801.1	0.7490
All purpose	657.1	0.9131

### Custom scoring options for Estonia

Single Number	Time On Distance	Time On Time
Coastal/Long Distance	715.7	0.8383
Triple Number Coastal/Long Distance Low	849.5	0.7063
Triple Number Coastal/Long Distance Medium	654.7	0.9165
Triple Number Coastal/Long Distance High	575.8	1.0420
Triple Number Windward/Leeward Low	1092.9	0.5490
Triple Number Windward/Leeward Medium	798.0	0.7519
Triple Number Windward/Leeward High	679.8	0.8826

Performance Curve	6 kt	8 kt	10 kt	12 kt	14 kt	16 kt	20 kt
Coastal/Long Distance	1195.8	921.7	769.9	676.2	624.1	588.6	531.6